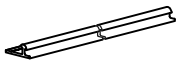


MITRA | MT12, MT15, MT18

211-070, 211-071, 211-072



x4



x4



x4



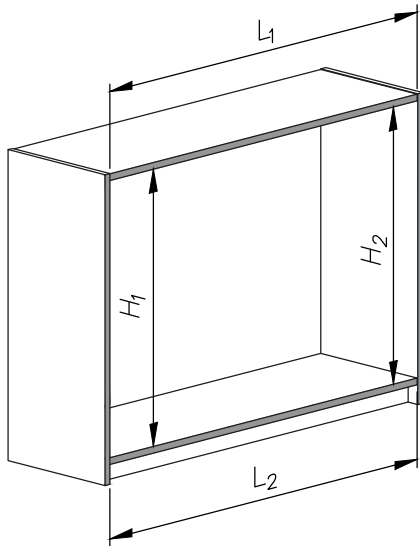
x2



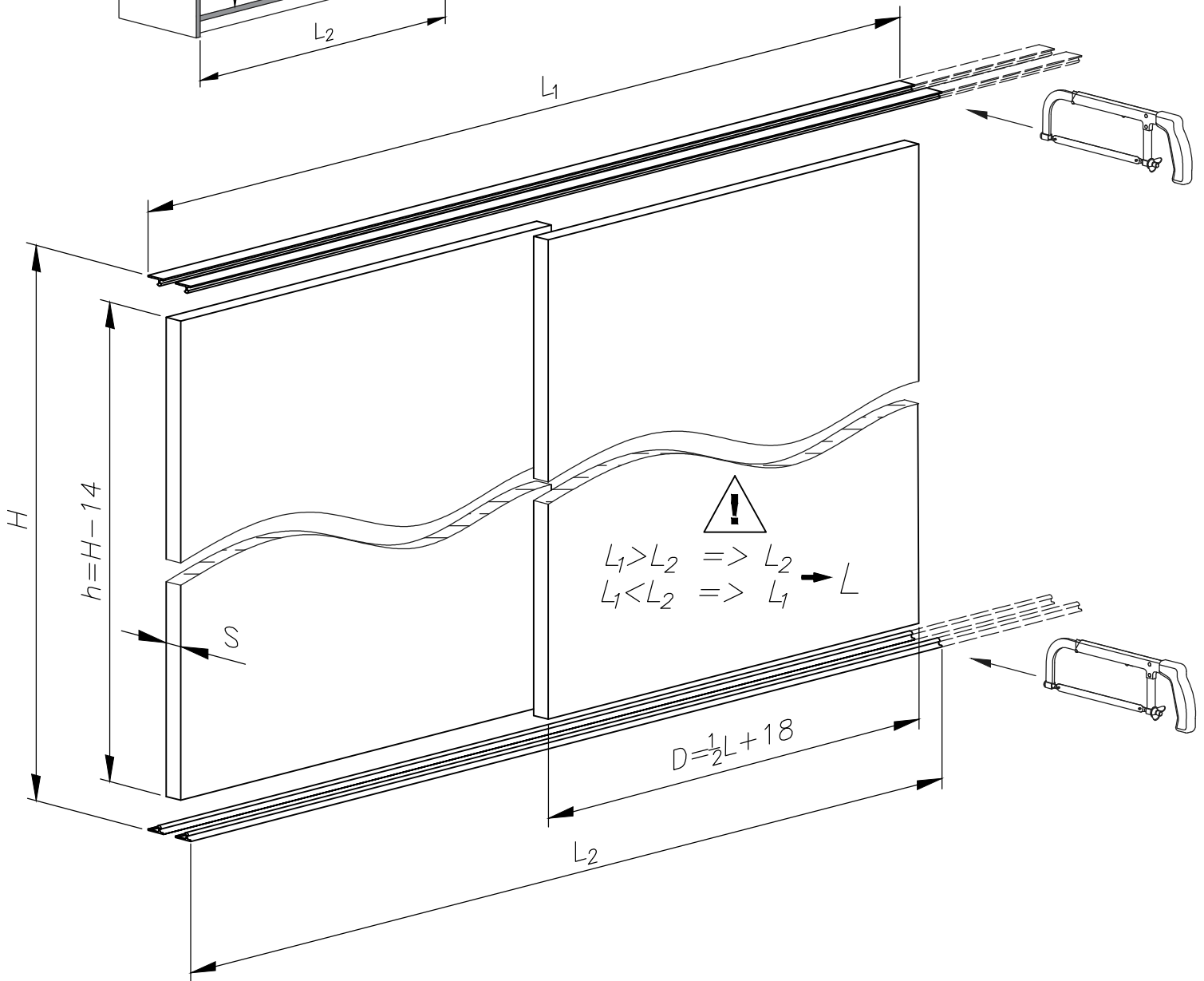
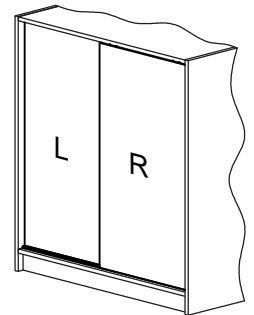
x1



1

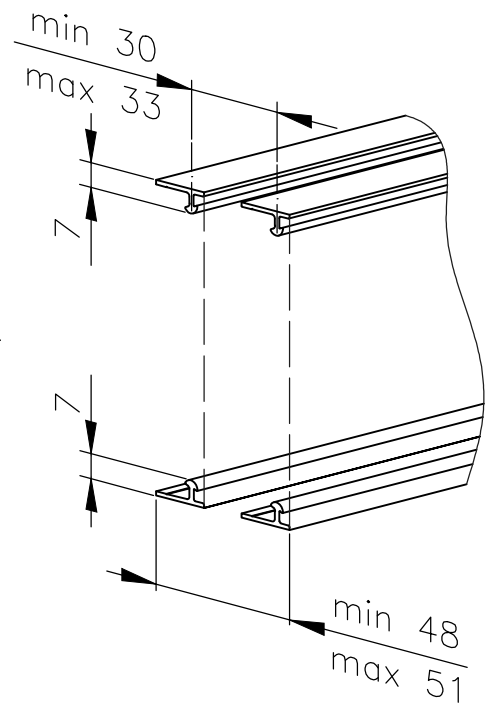
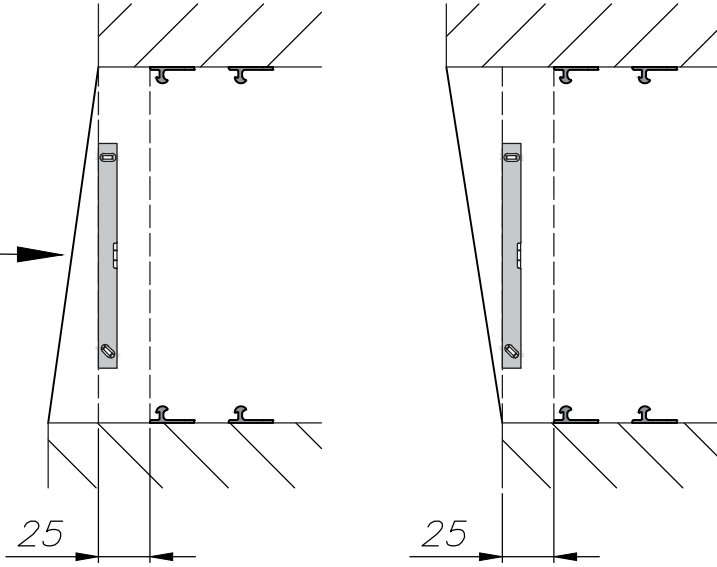


$$\begin{aligned} H_1 > H_2 &\Rightarrow H_2 \rightarrow H \\ H_1 < H_2 &\Rightarrow H_1 \rightarrow H \end{aligned}$$



2

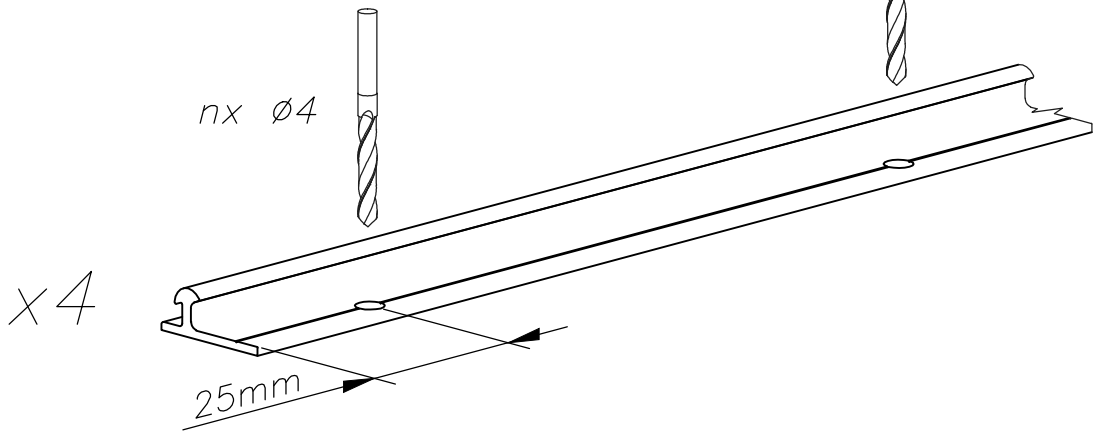
FRONT



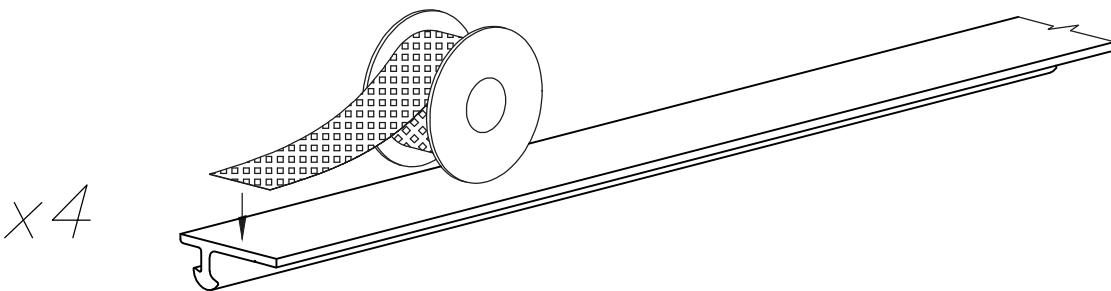
3a



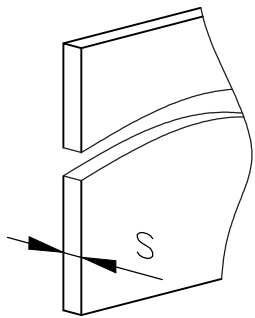
L[mm]	1200	1500	1800
n[szt]	5	5	6



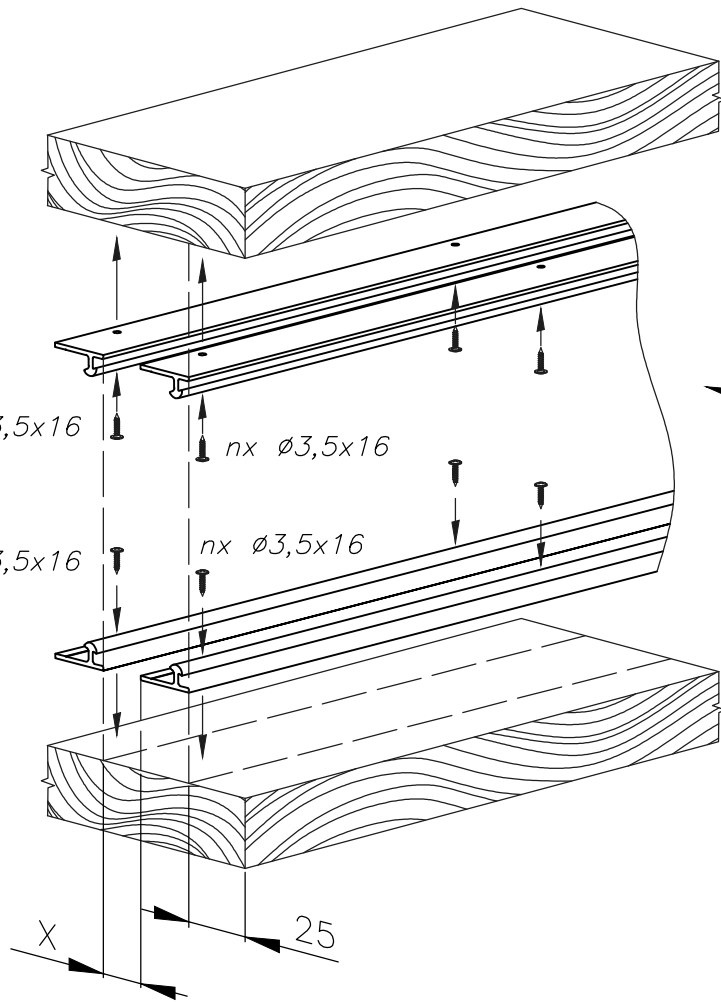
3b



4a



$n \times \varnothing 3,5 \times 16$
 $n \times \varnothing 3,5 \times 16$
 $n \times \varnothing 3,5 \times 16$
 $n \times \varnothing 3,5 \times 16$

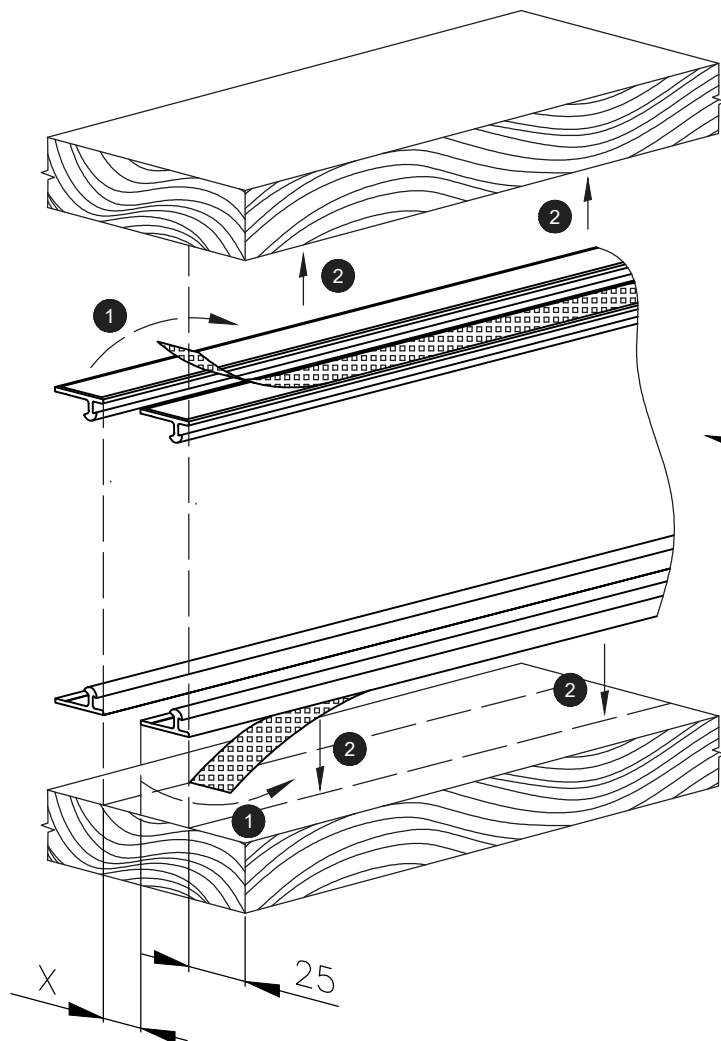


$S[mm]$	16	18	19
$X[mm]$	12	14	15

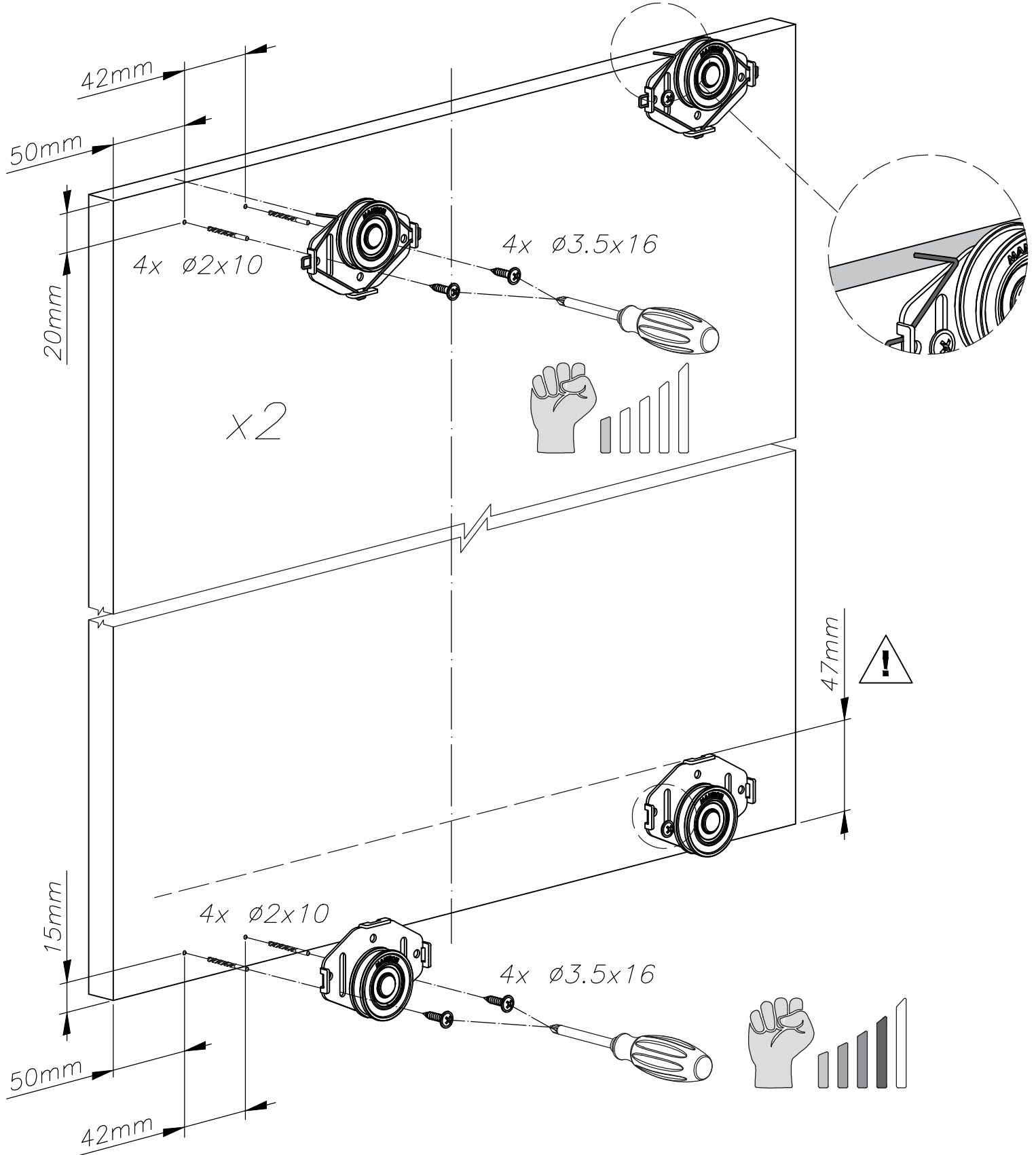
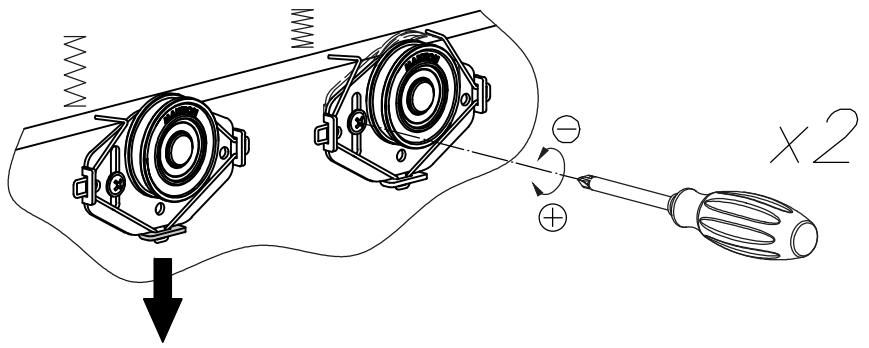
4b

x2

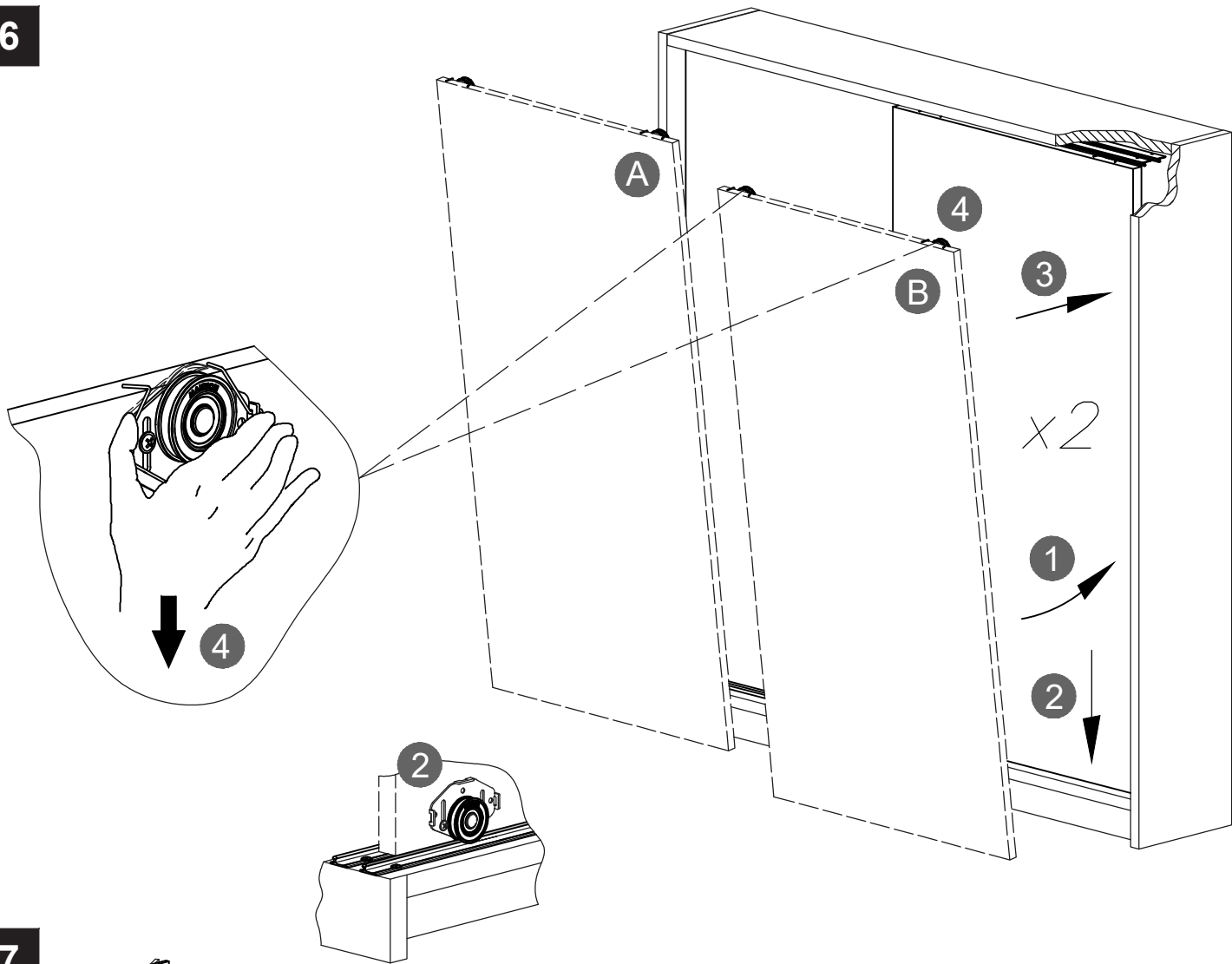
x2



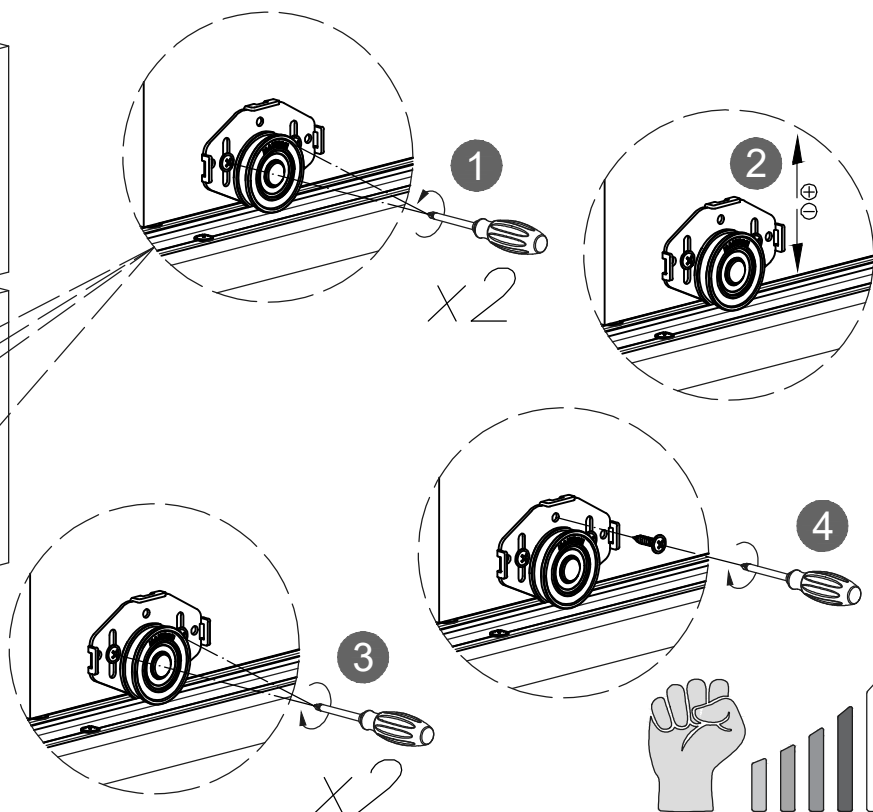
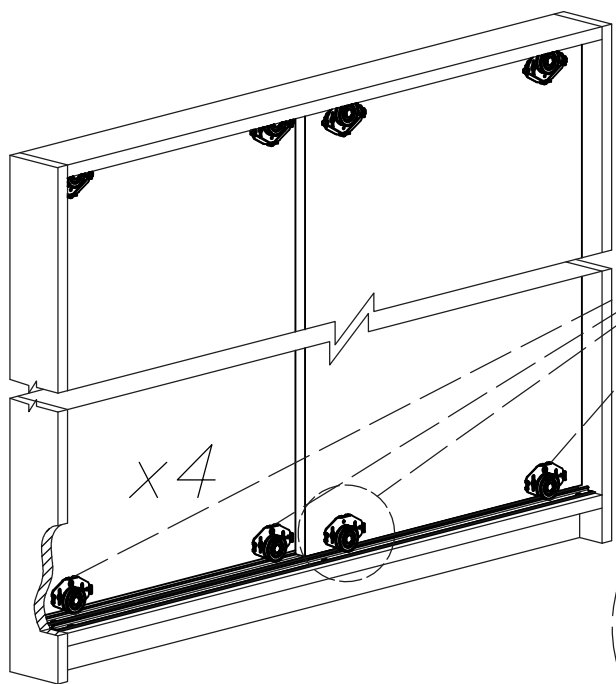
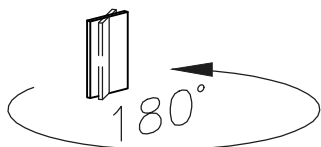
5



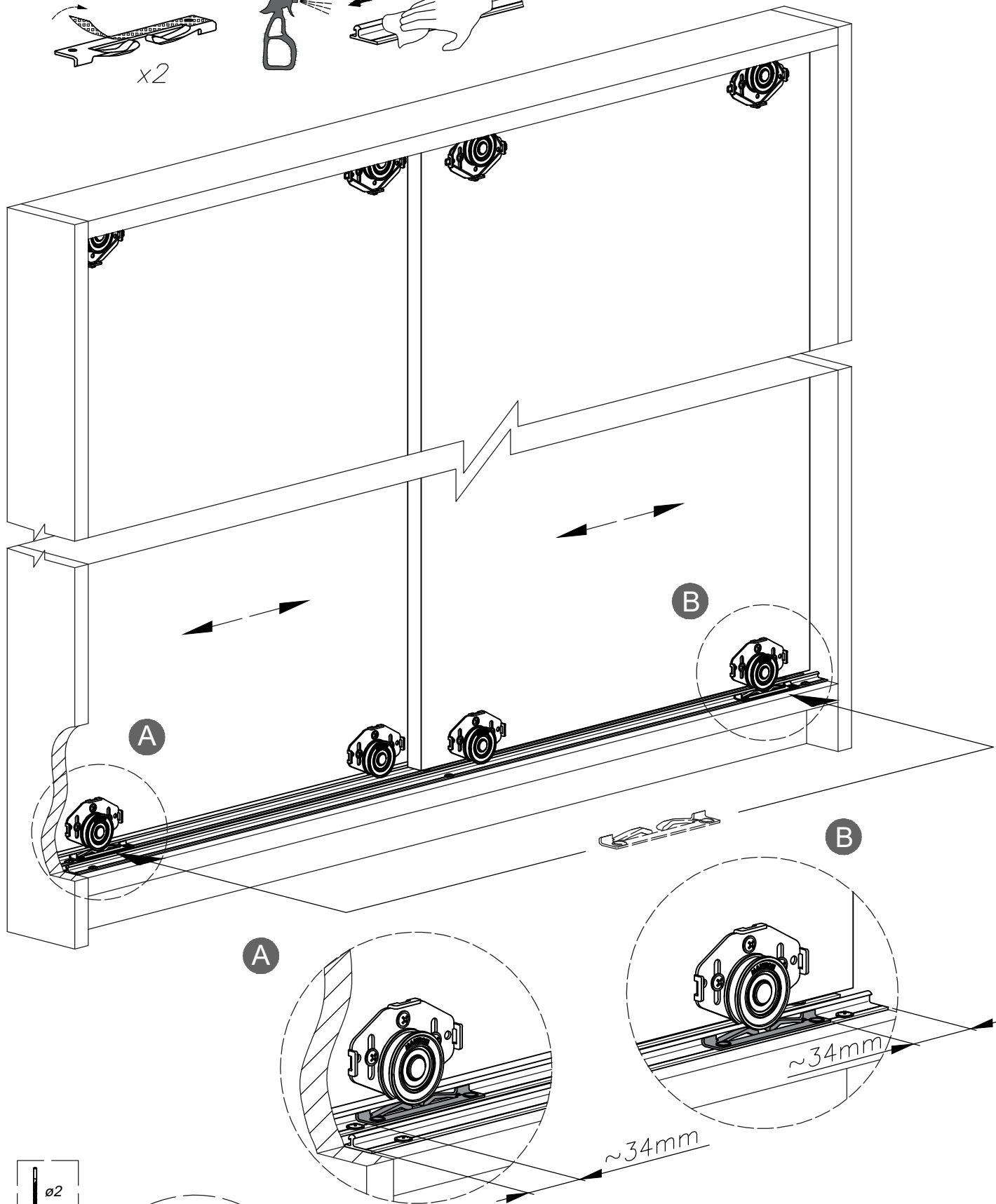
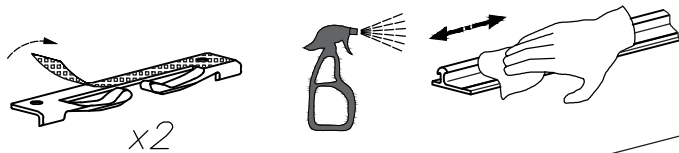
6



7



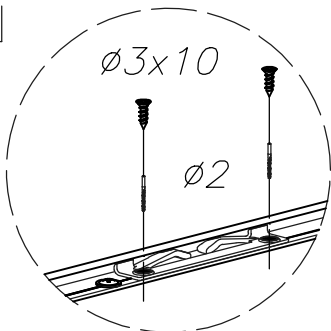
8



9



x2

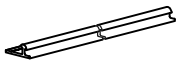


3 SKRZYDŁA



MITRA | MT20, MT24, MT30

211-073, 211-074, 211-075



x4



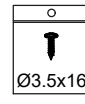
x6



x6



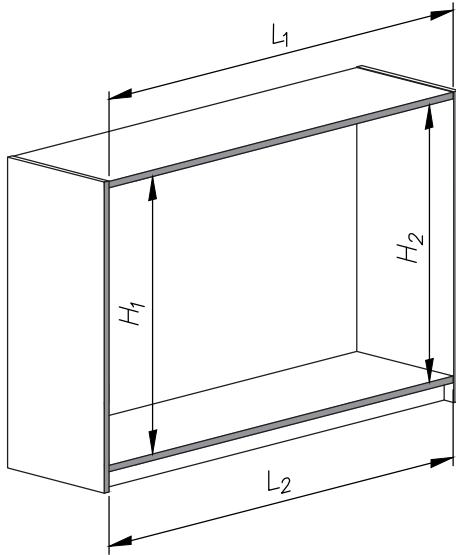
x3



x1

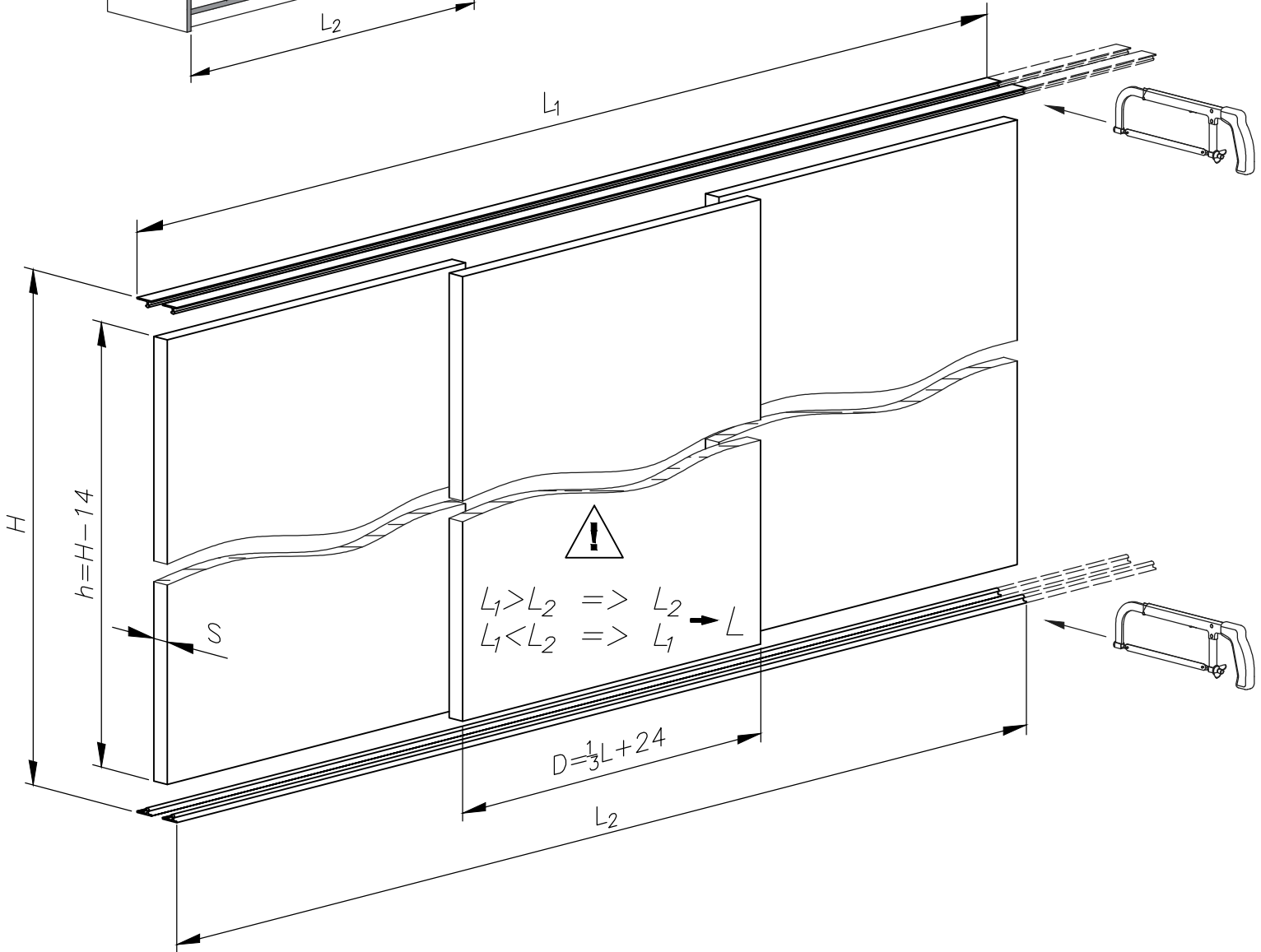


1



$$H_1 > H_2 \Rightarrow H_2 \rightarrow H$$

$$H_1 < H_2 \Rightarrow H_1 \rightarrow H$$



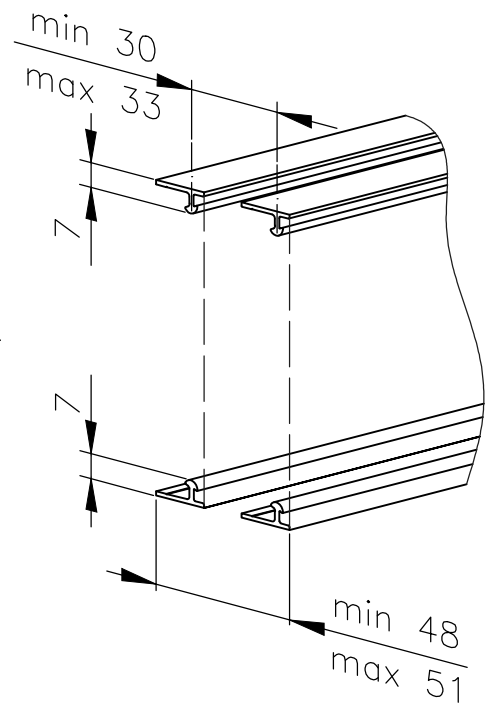
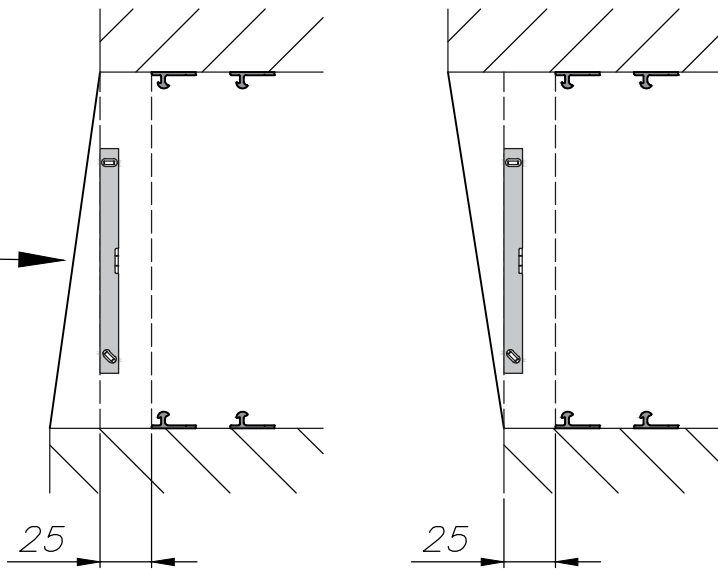
$$L_1 > L_2 \Rightarrow L_2 \rightarrow L$$

$$L_1 < L_2 \Rightarrow L_1 \rightarrow L$$



2

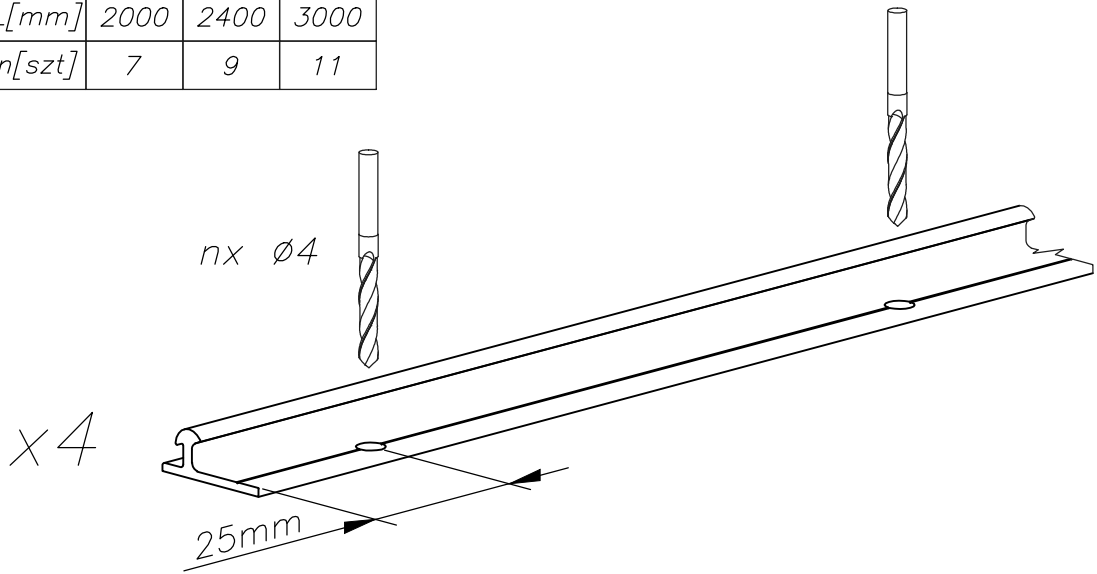
! FRONT



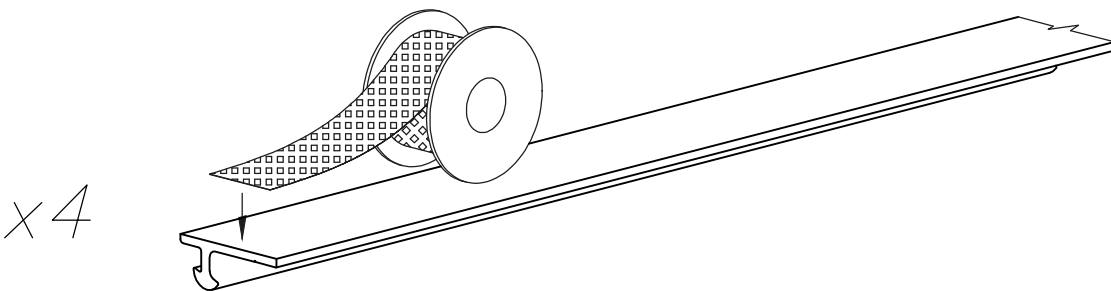
3a



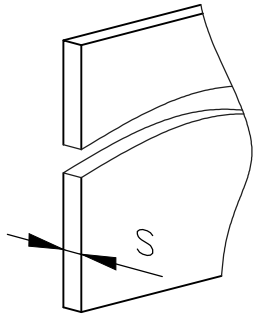
L[mm]	2000	2400	3000
n[szt]	7	9	11



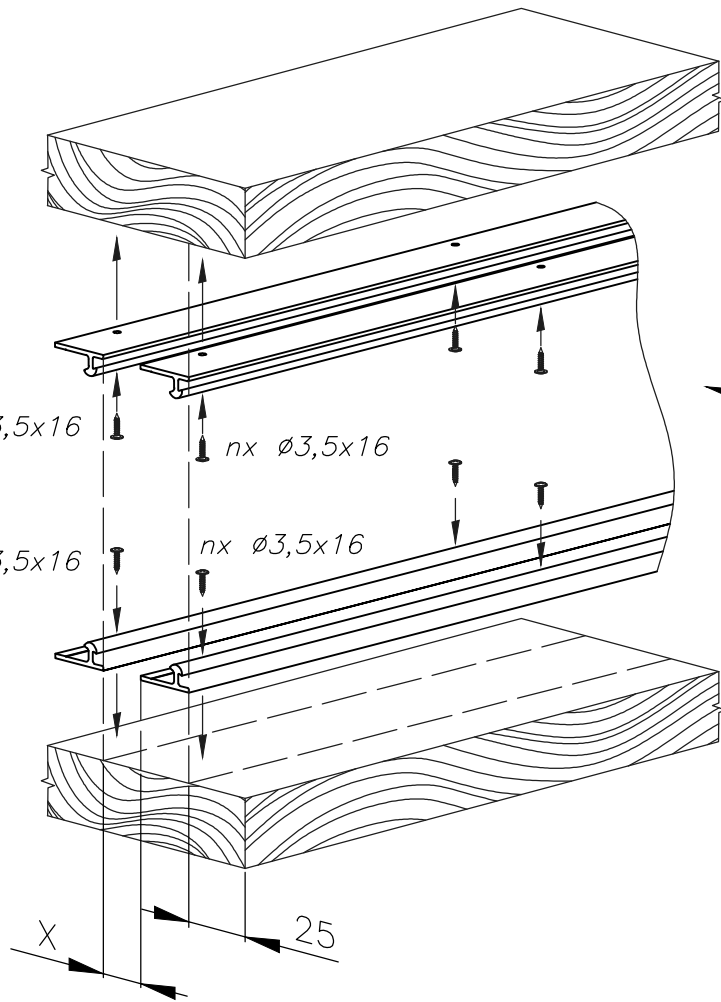
3b



4a



$nx \ \phi 3,5 \times 16$
 $nx \ \phi 3,5 \times 16$
 $nx \ \phi 3,5 \times 16$
 $nx \ \phi 3,5 \times 16$

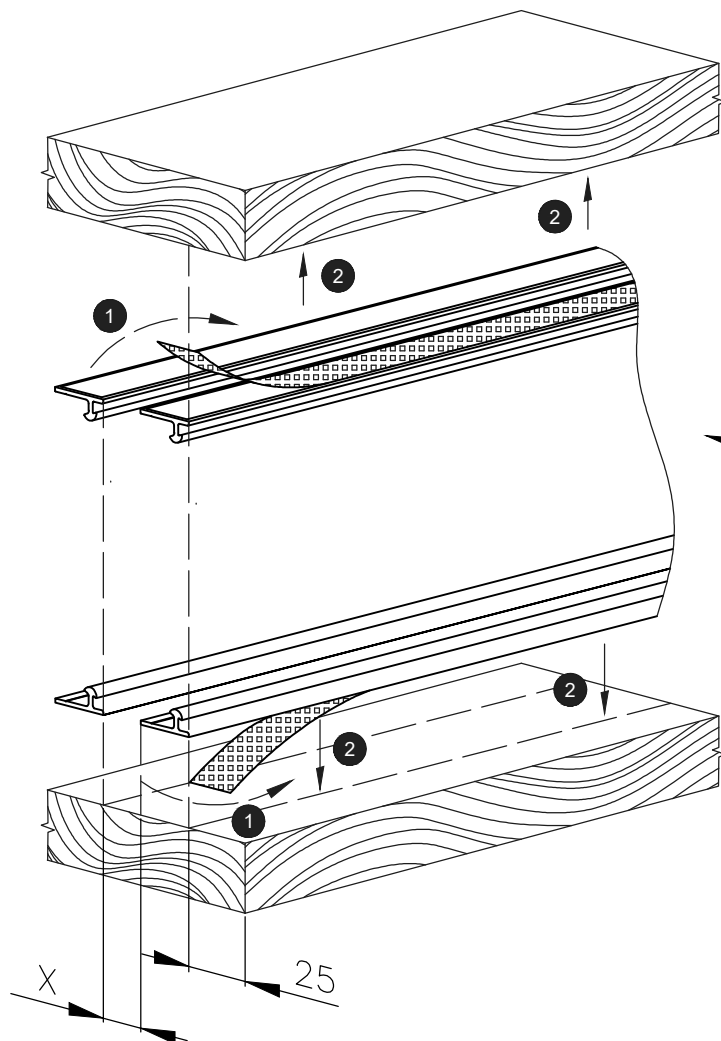


$S[mm]$	16	18	19
$X[mm]$	12	14	15

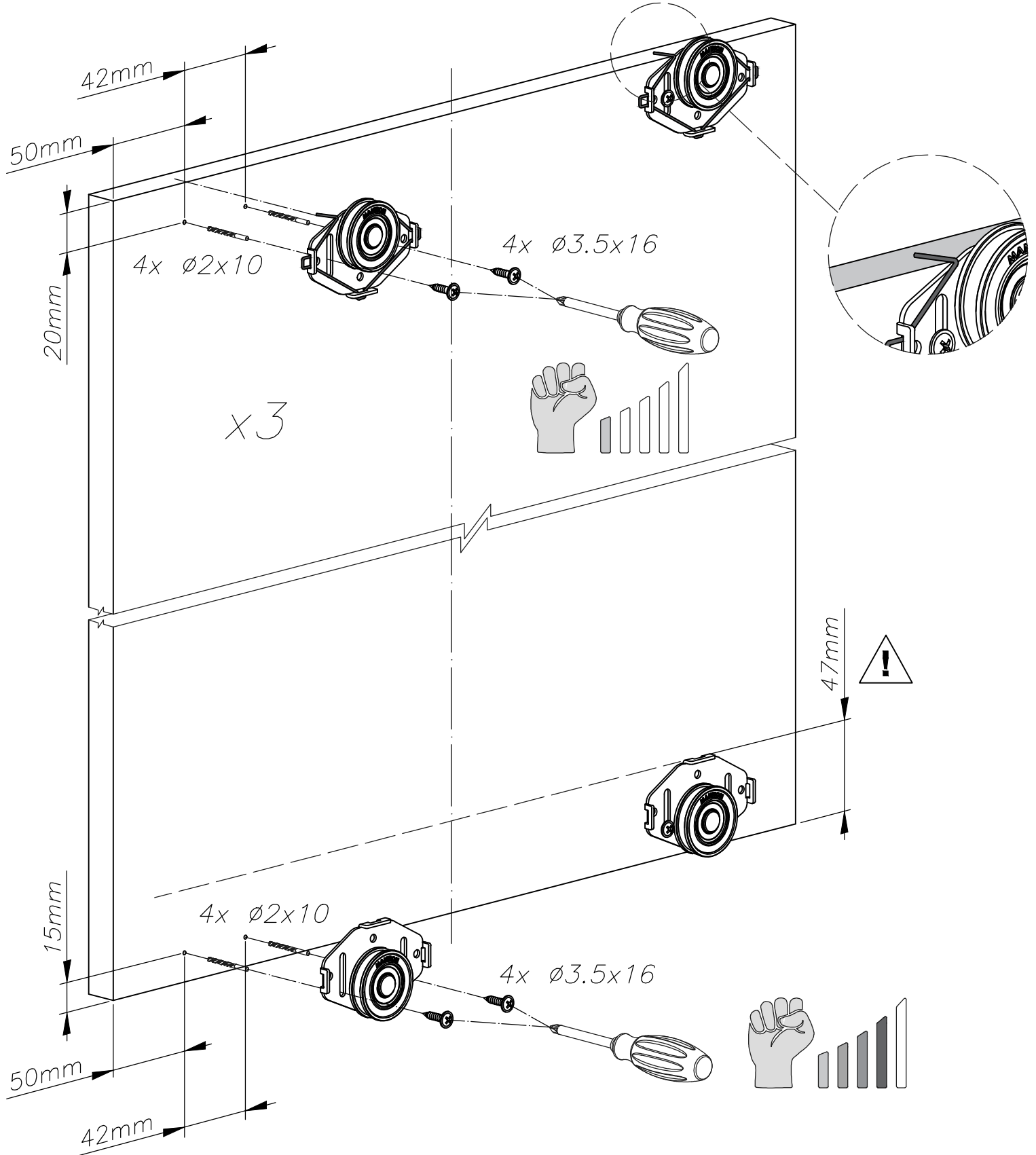
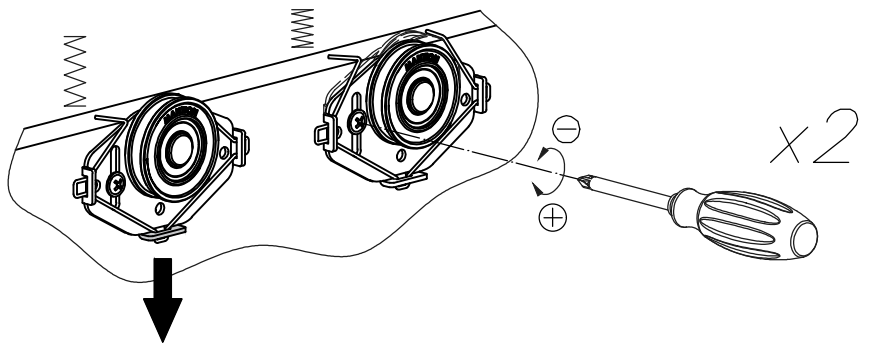
4b

x2

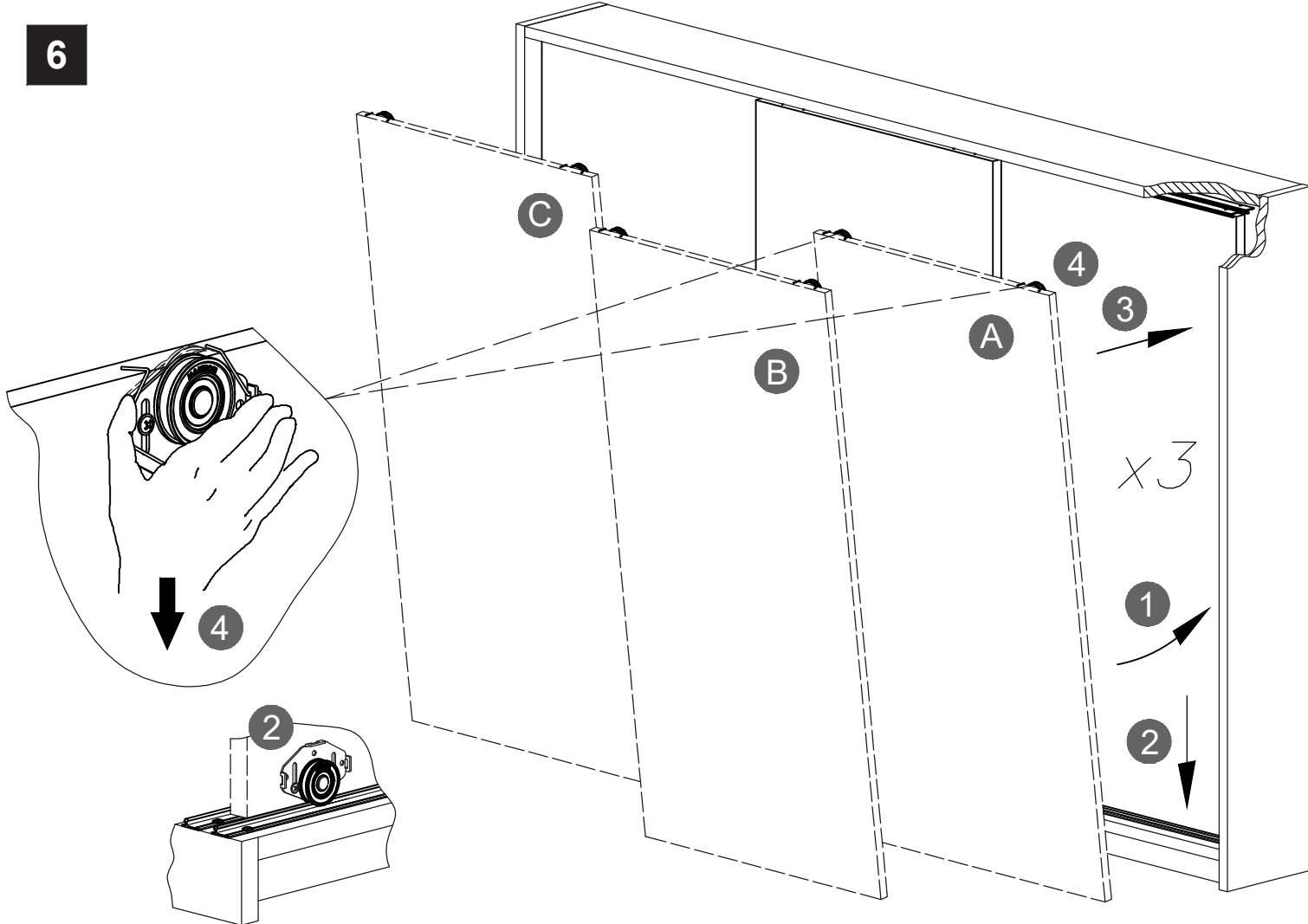
x2



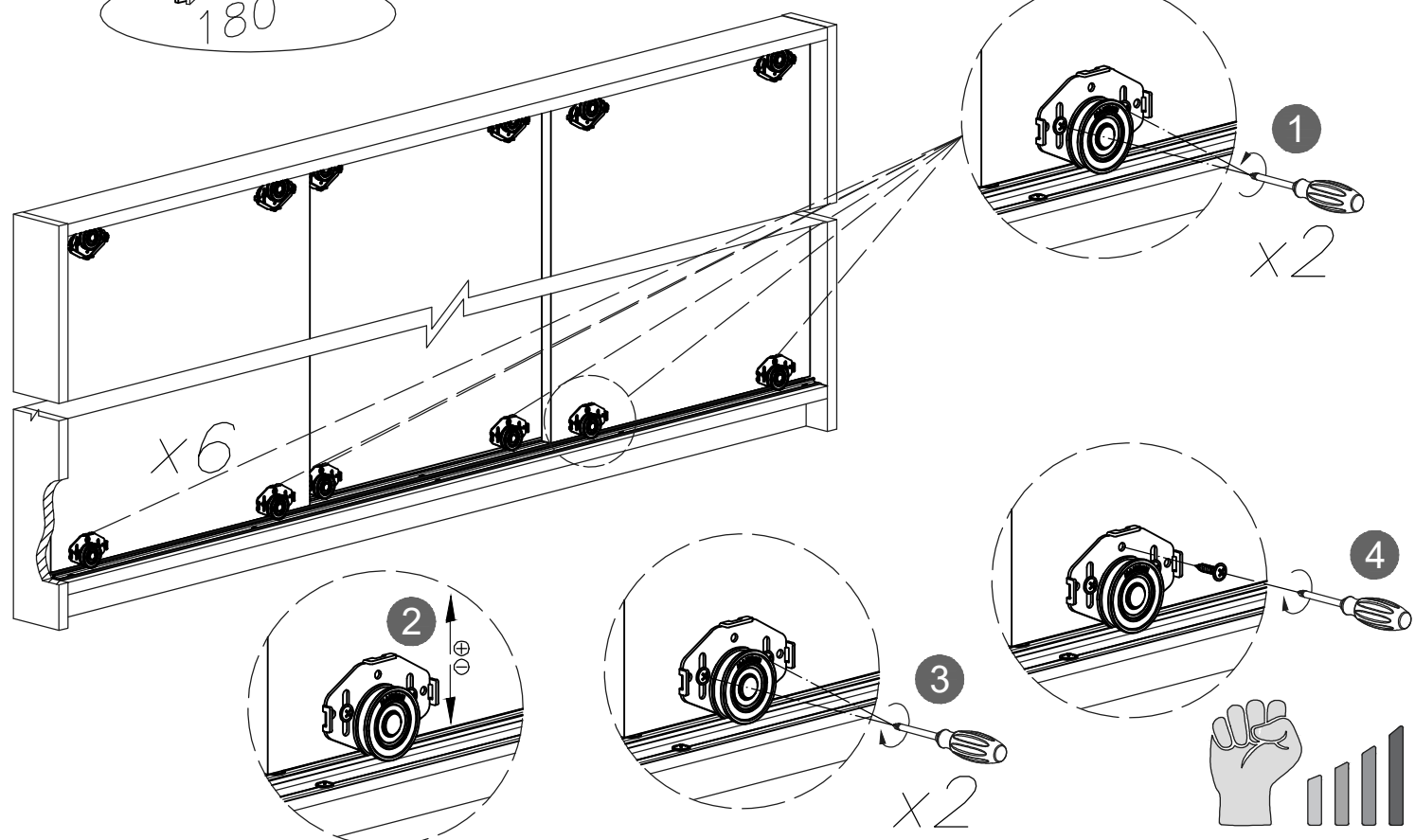
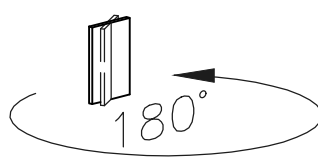
5



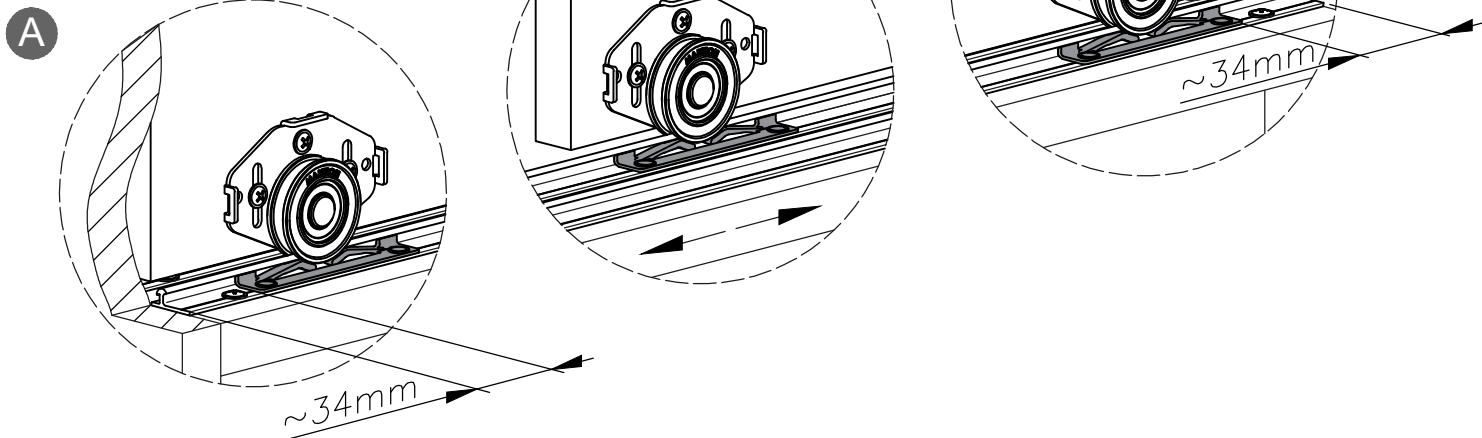
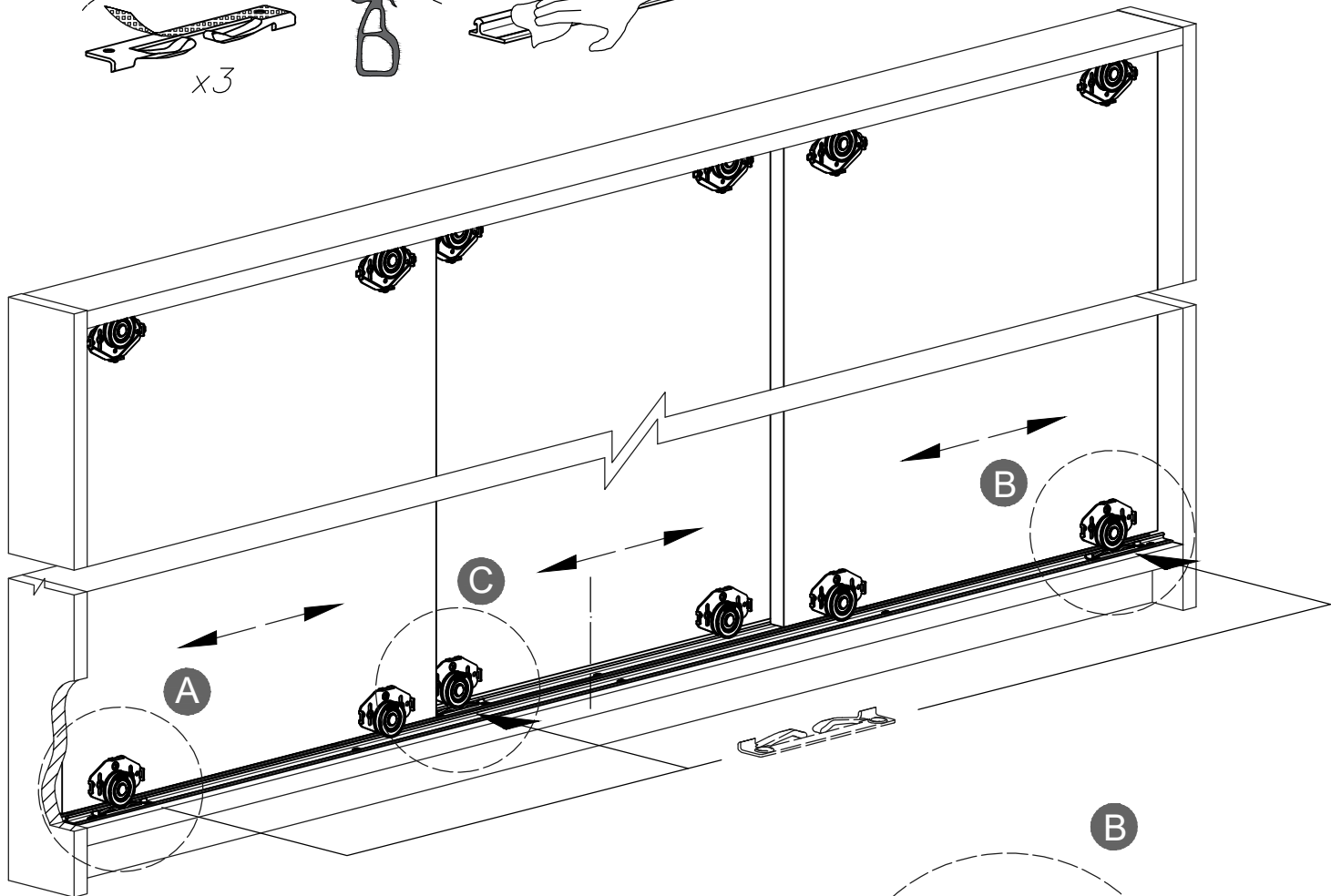
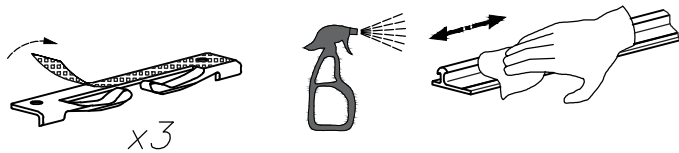
6



7



8



9



x3

